

---

# FreeBSD

---

Korea FreeBSD Users Group – <http://www.kr.FreeBSD.org/>

## Chapter 20 :

<rick@rickinc.com> .

<nobreak@kr.FreeBSD.org> .

: 2004 8 7

: 2005 3 8

: 1.0

FreeBSD Documentation Project FreeBSD Handbook 2004 8

7 . FreeBSD Handbook ,  
, CVS Repository  
,  
,  
가  
가 . KFUG(Korea FreeBSD Users Group)  
KFUG

“FreeBSD Handbook” “FreeBSD Documentation Project” , “ FreeBSD  
” “ (Young-oak Lee)” .

*Copyright © 1995, 1996, 1997, 1998, 1999, 2000, 2001, 2002, 2003, 2004 The FreeBSD Documentation Project.*

## IV.

FreeBSD

:

- 
- PPP PPPoE
- 
- 
- 

가

FreeBSD

## 20

### 20.1

10

FreeBSD

가

:

- FreeBSD 가
- - 가
- 가 가
- 가

:

- (9 ).
- (3 ).
- FreeBSD ( ) 가

## 20.2

### 20.2.1

bps

DTE

DCE

RS-232

EIA

" (baud)"

"bps("가

### 20.2.2

FreeBSD

가

### 20.2.2.1

(" ") RS-232

[ ]

1.

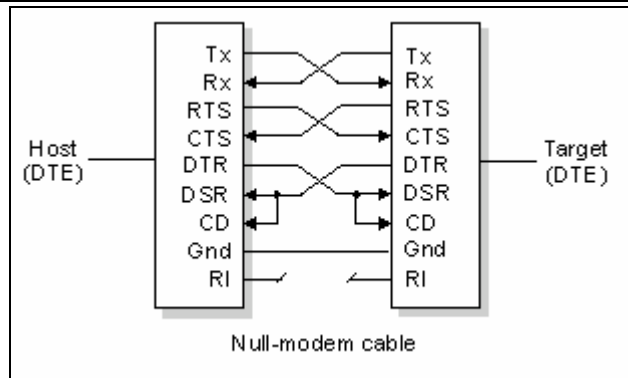
" (Signal Ground)"

"가

RS-232C DB-25

SG; (Signal Ground)	7	7	SG
TxD; DTE (Transmitted Data)	2	3	RxD
RxD; DCE (Received Data)	3	2	TxD
RTS; DTE 가 (Request to Send)	4	5	CTS
CTS; DCE 가 가(Clear to Send)	5	4	RTS
DTR; DTE 가 (Data Terminal Ready)	20	6	DSR
DCD; (Data Carrier Detect)	8	6	DSR
DSR; DCE 가 (Data Set Ready)	6	20	DTR

**Note:** "Data Set Ready(DSR)" "Data Carrier Detect(DCD)"  
"Data Terminal Ready(DTR)"

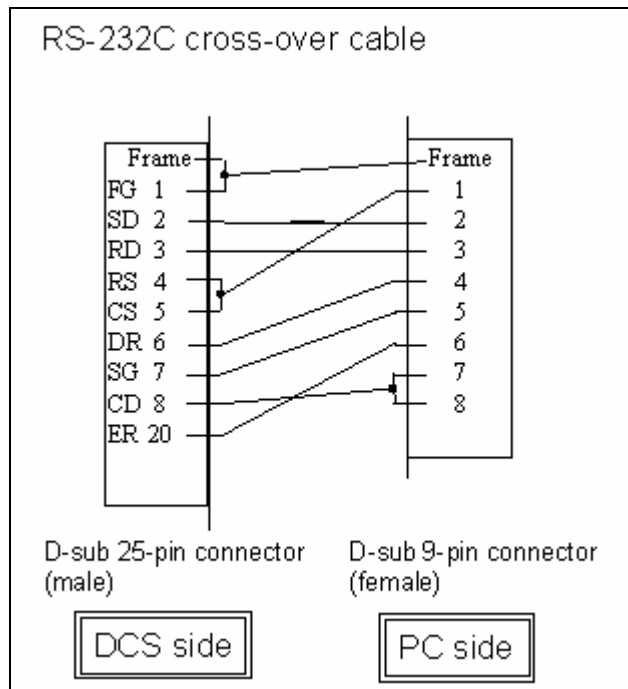


[20-1.bmp]

**2. RS-232C**

RS-232C "가 FreeBSD"

RS-232C



[20-2.bmp]

[ ]

### 20.2.2.2

FreeBSD 가 .  
가 FreeBSD .

[ ]

**1.**  
가 가 . FreeBSD  
.  
DB25 가 . FreeBSD PC  
DB25 DB9 가 . PC  
가 RJ-12 RJ-45 가 .

**2.**  
FreeBSD /dev 가  
가 :

- (Call-in) /dev/ttydN , N 0 . 가  
(DCD) 가 on .
- (Call-out) /dev/cuaaN .  
.  
(MS-DOS COM1) /dev/ttyd0

```
(MS-DOS COM2)
/dev/ttyd1
```

[ ]]

### 20.2.3

FreeBSD 4 . MS-DOS COM1,  
COM2, COM3 COM4 . FreeBSD Digiboard Stallion  
Technologies BocaBoard 1008 2016  
"dumb" . COM

/sbin/dmesg . sio

**Tip:** sio 가 :

```
# /sbin/dmesg | grep 'sio'
```

4 가 :

```
sio0 at 0x3f8-0x3ff irq 4 on isa
sio0: type 16550A
sio1 at 0x2f8-0x2ff irq 3 on isa
sio1: type 16550A
sio2 at 0x3e8-0x3ef irq 5 on isa
sio2: type 16550A
sio3 at 0x2e8-0x2ef irq 9 on isa
sio3: type 16550A
```

FreeBSD 4.X

:

device	sio0	at isa? port IO_COM1 irq 4
device	sio1	at isa? port IO_COM2 irq 3
device	sio2	at isa? port IO_COM3 irq 5
device	sio3	at isa? port IO_COM4 irq 9

FreeBSD 5.X

:

device	sio
--------	-----

FreeBSD 4.X

가

;

FreeBSD 5.X

/boot/device.hints

.

sio(4)

FreeBSD

**Note:**

*port 0x3f8*, *IO\_COM2 0x2f8*, *IO\_COM3 0x38*, *IO\_COM4 0x2e8*  
 ; 4, 3, 5 9 COM1 COM4  
 IRQ . ISA PC IRQ  
 ( IRQ 16550A )

## 20.2.4

/dev/ttydM(dial-in) /dev/cuaaM(call-out) FreeBSD  
 (/dev/ttyidN /dev/cuaiaM) (/dev/ttyldN /dev/cual0N)  
 RTS/CTS crtscts(  
 ) 가 ;  
 , , termios(4), sio(4)  
 stty(1)



### 20.2.4.1

```

/dev MAKEDEV . MAKEDEV
COM1( 0) - (dial-up) /dev
MAKEDEV ttyd0 가 COM2( 1)
MAKEDEV ttyd1 .

```

**Note:** FreeBSD 5.0 devfs(5)  
가 . devfs가 FreeBSD

```

MAKEDEV /dev/ttydN /dev/cuaaN, /dev/cuaiaN, /dev/cualaN,
/dev/ttyldN /dev/ttyidN .

```

```

가 ( /dev/cua* ) --
가 - . /dev/cua*
:
```

crw-rw----	1 uucp	dialer	28, 129	Feb 15 14:38	/dev/cuaa1
crw-rw----	1 uucp	dialer	28, 161	Feb 15 14:38	/dev/cuaia1
crw-rw----	1 uucp	dialer	28, 193	Feb 15 14:38	/dev/cuala1

```

uucp dialer call-out( ) .

```

### 20.2.5

```

ttydN( cuaaN) . 가
I/O 가 .
:
```

```
# stty -a -f /dev/ttyd1
```

```
가 . 가
" (initial state)"
ttyd5 CLOCAL , 8bit XON/XOFF
:
```

```
# stty -f /dev/ttyd5 clocal cs8 ixon ixoff
```

```
/etc/rc.serial
```

```
" (lock state)"
ttyd5 57600 bps :
```

```
# stty -f /dev/ttyd5 57600
```

```
ttyd5 57600 bps
root (write)
```

## 17.3

FreeBSD

FreeBSD

### 20.3.1

가

PC

가

가

X

xterm

FreeBSD

가

IBM PC

FreeBSD 가

FreeBSD

3

:

- Dumb
- 
- X

PC

### 20.3.1.1 Dumb

Dumb

“dumb”

. dumb

, , e ,

Digital Equipment Corporations

VT-100

Wyse

WY-75

dumb

FreeBSD

Dumb

X

### 20.3.1.2

PC

dumb

dumb

가

가

가 FreeBSD

FreeBSD

### 20.3.1.3 X

X

가

X

X

X

### 20.3.2

FreeBSD

12

init

가

가

. Init 가

/etc/ttys

getty

. getty

login

가

root

FreeBSD

:

/dev

/etc/ttys

가

/usr/libexec/getty

/etc/gettytab

getty

"on"

```

"secure"
/etc/ttys      init가
가            /etc/gettytab      getty
;            gettytab(5)  getty(8)

```

### 20.3.2.1 /etc/ttys 가

```

/etc/ttys      FreeBSD      가
가      ttyv0      가
가      ,      pseudo-
ttys      가      /dev      (/dev/ttyv0
ttyv0      )      /dev

```

```

FreeBSD      ttyd0      ttyd3      4
/etc/ttys      가
가

```

#### 20-1. /etc/ttys 가

```

가      : Wyse-50      286 IBM PC
VT-100      Procomm      . Wyse
286      (      )
/etc/ttys      :

```

```

ttyd1 ① "/usr/libexec/getty std.38400" ② wy50 ③ on ④ insecure ⑤
ttyd5  "/usr/libexec/getty std.19200" vt100 on insecure

```

① /dev

② ( getty(8) . getty login(1)

```

getty ( ) getty
getty bps . getty
/etc/gettytab
/etc/gettytab 가
std
std 가 . 110 115200 bps
std 가 . gettytab(5)
/etc/ttys getty
Wyse-50 38400 bps . 286
PC 19200 bps
3 tty - (dial-up)
가 -
unknown dialup
termcap(5)
Wyse-50 Procomm 286
PC VT-100
4 . on init
getty . off getty 가
5 가 . secure
root ( ID 가 0 )
root . Insecure
su(1)
"insecure"
su

```

### 20.3.2.2 /etc/ttys init 가

```

/etc/ttys                                init 가                                SIGHUP
:
# kill -HUP 1

Note: init                                PID 1   가
                                           getty

```

### 20.3.3

가 .

#### 20.3.3.1

가 .

가 .

FreeBSD 가

```

FreeBSD  bps
가      가
가      .

```

```

getty   가 . getty
ps      :

```

```
# ps -axww|grep getty
```

```

getty 가 /etc/gettytab std.38400 ttyd1

```

```

22189 d1 ls+ 0:00.03 /usr/libexec/getty std.38400 ttyd1

```

```

getty 가 /etc/ttys
ttys kill -HUP 1

getty 가 (handshaking)
      . /etc/ttys std.38400 3wire.38400
kill -HUP 1 . 3wire std
3wire (baud rate)

```

### 20.3.3.2

```

FreeBSD bps
      getty /etc/ttys kill -
HUP 1

```

### 20.3.3.3

```

"half duplex" "local echo" "full duplex" (
)

```

## 20.4 - (Dial-in)

- FreeBSD





. FreeBSD

## 20.4.2

```
FreeBSD NS8250-, NS16450-, NS16550- NS16550A- EIA RS-
232C(CCITT V.24) . 8250 16450
가 . 16550 16
. 16550A-
가 16550A-
```

## 20.4.3

```
init - (dial-in) getty
/dev/ttyd0 ps ax
:
```

4850 ??   0:00.09 /usr/libexec/getty V19200 ttyd0
---

```
가 CD( )
가 gettys 가 . getty
login: 가
getty
가 getty
/usr/bin/login
```

## 20.4.4

```
/etc FreeBSD -
```

```

3          .          /etc/gettytab  /usr/libexec/getty
      가          .          /etc/ttys      tty      getty
/sbin/init          가          .          /etc/rc.serial
          .
          -          가          .
          가
          RS-232
가
          Emacs      (Full)
          .
          RS-232
V.32bis(14.4 kbps)          RS-232          19.2 kbps
          2400 bps          RS-232          2400 bps
getty          .          가
login:          .
          Enter
getty          가          login:
          가          가          "          "

```

### 20.4.4.1 /etc/gettytab

```

/etc/gettytab  getty(8)          termcap(5)
          gettytab(5)

```

[ ]

1. /etc/gettytab 가

2. getty /etc/gettytab  
2400bps 가 2400D

```
#
# Fast dialup terminals, 2400/1200/300 rotary (can start either way)
#
D2400|d2400|Fast-Dial-2400:
:nx=D1200:tc=2400-baud:
3|D1200|Fast-Dial-1200:
:nx=D300:tc=1200-baud:
5|D300|Fast-Dial-300:
:nx=D2400:tc=300-baud:
```

가 /etc/gettytab 가 ;  
14.4kbps 19.2kbps :

```
#
# Additions for a V.32bis Modem
#
um|V300|High Speed Modem at 300,8-bit:
:nx=V19200:tc=std.300:
un|V1200|High Speed Modem at 1200,8-bit:
:nx=V300:tc=std.1200:
uo|V2400|High Speed Modem at 2400,8-bit:
:nx=V1200:tc=std.2400:
up|V9600|High Speed Modem at 9600,8-bit:
:nx=V2400:tc=std.9600:
uq|V19200|High Speed Modem at 19200,8-bit:
:nx=V9600:tc=std.19200:
```

```

8-bit
19.2 kbps(V.32bis) 9600 bps,
2400 bps, 1200 bps, 300 bps 19.2 kbps
nx=("next table") " "
tc=("table Continuation")

28.8 kbps 가 14.4 kbps 19.2
kbps 가 : 57.6 kbps gettytab

#
# Additions for a V.32bis or V.34 Modem
# Starting at 57.6 Kbps
#
vm|VH300|Very High Speed Modem at 300,8-bit:
:nx=VH57600:tc=std.300:
vn|VH1200|Very High Speed Modem at 1200,8-bit:
:nx=VH300:tc=std.1200:
vo|VH2400|Very High Speed Modem at 2400,8-bit:
:nx=VH1200:tc=std.2400:
vp|VH9600|Very High Speed Modem at 9600,8-bit:
:nx=VH2400:tc=std.9600:
vq|VH57600|Very High Speed Modem at 57600,8-bit:
:nx=VH9600:tc=std.57600:

CPU 가 가 16550A 가
57.6kbps sio "silo"

```

### 20.4.4.2 /etc/ttys

```

/etc/ttys 20-1
getty

```

```
ttyd0 "/usr/libexec/getty xxx" dialup on
```

```

        . ttyd0      getty 가
        /dev/ttyd0      .      "/usr/libexec/getty xxx" (xxx
gettytab      )      init 가      .      dialup
        .      on      init      .
        secure 가      (      )
        .
        (      dialup)      (preference)
dialup      -
dialup
        .      가 VT102
        vt102      .
/etc/ttys      HUP      init
        .
# kill -HUP 1
        init
        .

```

[ [ ] ]

```

1.
        getty      가 ttys
        가 19.2 kbps      ttys      :
        ttyd0 "/usr/libexec/getty std.19200" dialup on
        .      std.19200      std.speed
        . /etc/gettytab      .

```

2.

```

        ttys          /etc/gettytab  "auto-baud"(sic)
        .
        V19200        )
가   ttys          :
    
```

```

ttyd0  "/usr/libexec/getty V19200"  dialup on
    
```

### 20.4.4.3 /etc/rc.serial

V.32, V.32bis      V.34      (RTS/CTS)

. FreeBSD      stty

/etc/rc.serial      가 .

```

        termios      crtscts          #1(COM2)      - (dial-in)
- (dial-out)          /etc/rc.serial      가      :
```

```

# Serial port initial configuration
    
```

```

stty -f /dev/ttyid1 crtscts
stty -f /dev/cuaia1 crtscts
    
```

### 20.4.5

가      가

(MS-DOS      Telix      FreeBSD      tip      )

. getty 가

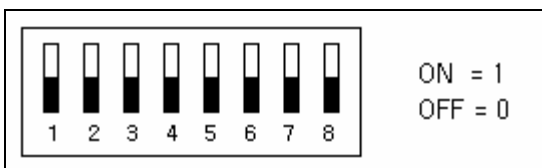
:

- CD      가 on.
- DTR      on;      DTR      off
- CTS      .
- XON/XOFF(      )
- RTS      .

- Quite mode( ).
- 

DIP

DIP



[20-3.bmp]

USRobotics Sportster 14,400

:

ATZ

AT&C1&D2&H1&I0&R2&W

V.42bis MNP5

USR Sportster 14,400

DIP 가 ;

:

- Switch 1: UP -- DTR.
- Switch 2: N/A ( / ).
- Switch 3: UP --
- Switch 4: DOWN -- off
- Switch 5: UP --
- Switch 6: UP -- CD.
- Switch 7: UP --
- Switch 8: N/A (Smart Mode/Dumb Mode)

getty 가

login:



getty

### 20.4.5.1

. USR Sporster 14,400

:

ATZ

AT&B1&W

### 20.4.5.2

. USR Sportster 14,400

error - corrected

non - error - corrected

ATZ

AT&B2&W

### 20.4.5.3

. USR Sportster 14,400

AT15

ATZ AT14

가

## 20.4.6

가 가 .

### 20.4.6.1 FreeBSD

```
FreeBSD 가
, login: 가 DTR 가
— FreeBSD getty
가 가 .
DTR 가 FreeBSD FreeBSD 가
getty ps ax 가
:
```

```
114 ?? | 0:00.10 /usr/libexec/getty V19200 ttyd0
115 ?? | 0:00.10 /usr/libexec/getty V19200 ttyd1
```

..

```
114 d0 | 0:00.10 /usr/libexec/getty V19200 ttyd0
```

getty 가 . getty CD( ) 가  
on

```
ttydN getty 가 /etc/ttys
init getty 가
/var/log/messages . 가
/etc/ttys /etc/gettytab
/dev/ttydN .
```

### 20.4.6.2 -

- (dial-in) 8 bits, 1 stop bit  
 가 가 Enter  
 login: BREAK  
 (dialing) (  
 USR Sportster AT&B1 )

login: /etc/gettytab

- /etc/ttys /etc/gettytab
- nx= 가 gettytab
- tc= 가 gettytab

- FreeBSD DTR on  
 DTR on

FreeBSD

## 20.5 - (Dial - out)

BBS

FTP 가 PPP 가 FTP Z  
 PPP

### 20.5.1 Stock Hayes

## 가?

```

tip(tip full-duplex )
Hayes (dialer) /etc/remote
at=hayes

Hayes (BUSY, NO DIALTONE CONNECT 115200
)
tip(ATX0&W )

tip 60
tip . ATS7=45&W

Note: tip Hayes
/usr/src/usr.bin/tip/tip tipconf.h
가

#define HAYES 0 #define HAYES 1 make make
install

```

## 20.5.2

## AT

## 가?

```

/etc/remote "direct"
/dev/cuaa0 :

```

```

cuaa0:dv=/dev/cuaa0:br#19200:pa=none

```

```

br bps tip cuaa0

```

```

/dev/cuaa0 가 :

```

```

# cd /dev
# sh MAKEDEV cuaa0

```

root cu :

# *cu -lline -sspeed*

*line* ( : /dev/cuaa0) *speed* ( : 57600). AT  
가 ~.

### 20.5.3 pn @ 가 !

@ tip /etc/phones .  
@ /etc/remote .  
:

pn= @

### 20.5.4 가?

"generic" /etc/remote 가 :

```
tip115200|Dial any phone number at 115200 bps:
:dv=/dev/cuaa0:br#115200:at=hayes:pa=none:du:
tip57600|Dial any phone number at 57600 bps:
:dv=/dev/cuaa0:br#57600:at=hayes:pa=none:du:
```

# *tip -115200 5551234*

tip cu *cu* :

```
cu115200|Use cu to dial any number at 115200bps:
:dv=/dev/cuaa1:br#57600:at=hayes:pa=none:du:
```



```
big - university:
:pn= @:tc=dialout
dialout:
:dv=/dev/cuaa3:br#9600:at=courier:du:pa=none:
```

/etc/phones :

```
big - university 5551111
big - university 5551112
big - university 5551113
big - university 5551114
```

tip  
tip while

## 20.5.8 Ctrl+P

## Ctrl+P

가?

```
Ctrl+P tip 가 "force"
" 가 ~s force
~sforce=single-char . single-char
1 . single-char force Ctrl+2 Ctrl+Space
(nul)
single-char Shift+Ctrl+6
$HOME/.tiprc force :
```

```
force=<single-char>
```

## 20.5.9

가 ?

Caps-Lock 가 tip “raise character” **Ctrl+A**  
 ~s *raisechar*  
 force  
 Ctrl+2 Ctrl+A Emacs .tiprc :

```
force=^^
raisechar=^^
```

^^ Shift+Ctrl+6 .

### 20.5.10 tip

가?

~p(put) ~t(take)  
 cat echo . :  
 ~p [ ]  
 ~t [ ]  
 가 z .

### 20.5.11 tip

z

가?

~C rz

~C sz

## 20.6



### 20.6.1

```
FreeBSD
가
:
가
FreeBSD

12
FreeBSD 3
FreeBSD
(/boot/loader)
```

### 20.6.2

```
가
가
COM1
echo -h > /boot.config

/etc/ttys ttyd0 off on

shutdown -r now
```

### 20.6.3

가

PC

가

가

(Phoenix BIOS 가  
).

"keyboard failed"

**Tip:** BIOS

"Not installed"

BIOS

가

"Not installed"

가

가

가

BIOS

가

**Note:**

PS/2

가

PS/2

가

AMI Bios

가

Gateway 2000

90Mhz

가

가

가

dumb

COM1(sio0)

dumb

PC/XT

COM1(sio0)

가

COM1

가

가 COM1

FreeBSD

(COM1

/

/

가

;

COM1

(

COM1

COM2

(sio1)

)

).

COM1(sio0)

가

0x10

( ) ; 가  
-h

0x20

-h ( )  
FreeBSD 2.X COMCONSOLE  
0x20 0x10

0x40

(0x10 )

([http://www.freebsd.org/doc/en\\_US.ISO8859-1/books/developers-handbook/index.html](http://www.freebsd.org/doc/en_US.ISO8859-1/books/developers-handbook/index.html))

**Note:** FreeBSD 4.0 0x40 가

device sio0 at isa? port IO\_COM1 flags 0x10 irq 4

sio(4)

가 UserConfig( )

a root boot.config

-h

( ) -h

-h

-D

-h

-h

가

-h

-P

**Note:**

가

가 )

. 101

-P

(F11 F12

-P

-P

-h

가 boot(8)

-P

(/boot/loader)

-h

/boot.config -h

-D

;

FreeBSD

/boot.config

:

<pre>/boot.config: -P Keyboard: no</pre>
--

-P /boot.config

가

(presence)/ (absence)

/boot.config

	가
none	
-h	
-D	
-Dh	
-P, keyboard present	
-P, keyboard absent	

가

Enter

:

```
>> FreeBSD/i386 BOOT
Default: 0:wd(0,a)/boot/loader
boot:
```

/boot.config

가

가

Enter

가

-h

Enter/Return(가 )

( )

가

가

## 20.6.4

### 20.6.4.1

1: sio0

0x10

device sio0 at isa? port IO\_COM1 flags 0x10 irq 4

/boot.config			
-h			
-D			
-Dh			
-P, keyboard present			
-P, keyboard absent			

20.6.4.2          2: sio0                  0x30                  .

device sio0 at isa? port IO\_COM1 flags 0x30 irq 4

/boot.config			
-h			
-D			
-Dh			
-P, keyboard present			
-P, keyboard absent			

### 20.6.5

#### 20.6.5.1

: 9600 , 8bits,                  1 stop bit          .

/etc/make.conf

가                  :

BOOT\_COMCONSOLE\_SPEED=19200

-h                  가

:

options CONSPEED=19200

## 20.6.5.2 sio0 가

sio 가

가

(19 )

```
/etc/make.conf (0x3F8, 0x2F8, 0x3E8 or 0x2E8)
BOOT_COMCONSOLE_PORT . sio0 sio3(COM1
COM4 )
가
```

가 . sio1(COM2) :

```
device sio1 at isa? port IO_COM2 flags 0x10 irq 3
```

```
device sio1 at isa? port IO_COM2 flags 0x30 irq 3
```

```
# cd /sys/boot
# make clean
# make
# make install
```

disklabel(8)



### 20.6.5.3 DDB 가

( BREAK  
) 가 :

```
options BREAK_TO_DEBUGGER
options DDB
```

### 20.6.5.4

login

/etc/ttys :

```
ttyd0 "/usr/libexec/getty std.9600" unknown off secure
ttyd1 "/usr/libexec/getty std.9600" unknown off secure
ttyd2 "/usr/libexec/getty std.9600" unknown off secure
ttyd3 "/usr/libexec/getty std.9600" unknown off secure
```

```
ttyd0  ttyd3  COM1  COM4  .  off  on
      std.9600  std.19200
```

*unknown*

kill -HUP 1

### 20.6.6

가

### 20.6.6.1

/boot/loader.rc 가

:

```
set console=comconsole
```

/boot/loader.rc 가

가 :

```
set console=vidconsole
```

console

-h

3.2 /boot/loader.rc /boot/loader.conf.local /boot/loader.conf

/boot/loader.rc :

```
include /boot/loader.4th
```

```
start
```

/boot/loader.conf.local 가 .

```
console=comconsole  
  
console=vidconsole
```

loader.conf(5)

**Note:**

-P

가

### 20.6.6.2

### sio0 가

sio0 가

“sio0 가

”

### 20.6.7

가

. AMI BIOS 가

"graphics adapter"

CMOS "Not installed"

가

(

)

. AMI BIOS